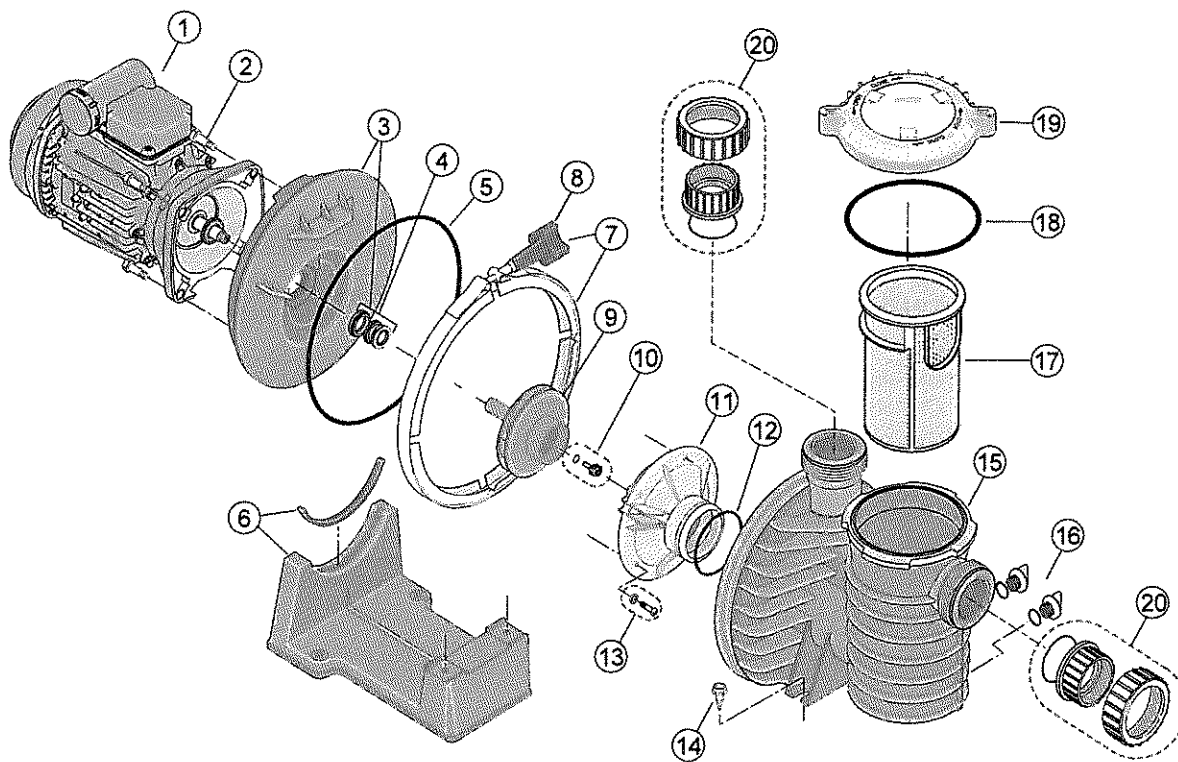


SW5P6R™



## **SW5P6R™**

### **Replacement Parts**

No.	Part No.	Description	Part No. Includes*
<b>1**</b>	RA-D1	Motor - Mono Phase 0,55KW	1
	RA-D3	Motor - Tri Phase 0,55KW	1
	RA-E1	Motor - Mono Phase 0,75KW	1
	RA-E3E2	Motor - Tri Phase 0,75KW	1
	RA-F1	Motor - Mono Phase 1,10KW	1
	RA-F3E2	Motor - Tri Phase 1,10KW	1
	RA-G1	Motor - Mono Phase 1,50KW	1
	RA-G3E2	Motor - Tri Phase 1,50KW	1
	RA-H1	Motor - Mono Phase 2,20KW	1
	RA-H3E2	Motor - Tri Phase 2,20KW	1
<b>2</b>	RU3074SS	Screw	4
<b>3</b>	RC103194PSSG	Seal Plate incl. Mechanical seal	1
<b>4</b>	RU9358SW	Mechanical Seal	1
<b>5</b>	R39006000	O-Ring	1
<b>6</b>	RC478P	Base (0,55KW)	1
	RC479P	Base (0,75KW -> 2,20KW)	1
<b>7</b>	RC1937A	Clamp Assembly	1
<b>8</b>	RWC3622	Clamp Knob	1
<b>9</b>	RC105238PFM	Impeller 0,55KW Mono Phase	1
	RC105238PFAM	Impeller 0,55KW Tri Phase	1
	RC105238PGM	Impeller 0,75KW Mono Phase	1
	RC105238PGAM	Impeller 0,75KW Tri Phase	1
	RC105238PECAM	Impeller 1,10KW Mono & Tri Phase	1
	RC105-238PLBAM	Impeller 1,50KW Mono & Tri Phase	1
	RC105-238PHAM	Impeller 2,20KW Mono & Tri Phase	1
<b>10***</b>	R373376080	Impeller Lock Screw	1
<b>11</b>	RC1271PSS	Diffuser	1
<b>12</b>	RU9374	O-Ring	1
<b>13</b>	RU30922SS	Bolts & Washers	5
<b>14</b>	RU30918SS	Screw	2
<b>15</b>	R173070110W	Pump Body Assembly (includes Partn° 16, 17, 18 & 19)	1
<b>16</b>	RU178920P	Drain Plugs	2
<b>17</b>	RC858P	Basket	1
<b>18</b>	R355051440	O-Ring	1
<b>19</b>	R173070111S	Lid & Lock Assembly	1
<b>20</b>	RPKG188W	Slip Union Kit 63mm	2
	PKG 188	Slip Union Kit 2"	2
	PP6000SW	Seal Set (Partn° 4, 5, 12, 18)	

\* PART NUMBER INCLUDES REQUIRED QUANTITY PER PRODUCT

\*\* SEE MOTOR SHEET FOR MOTOR SPARE PARTS

\*\*\* IMPELLER SCREW ONLY ON TRI PHASE PUMPS