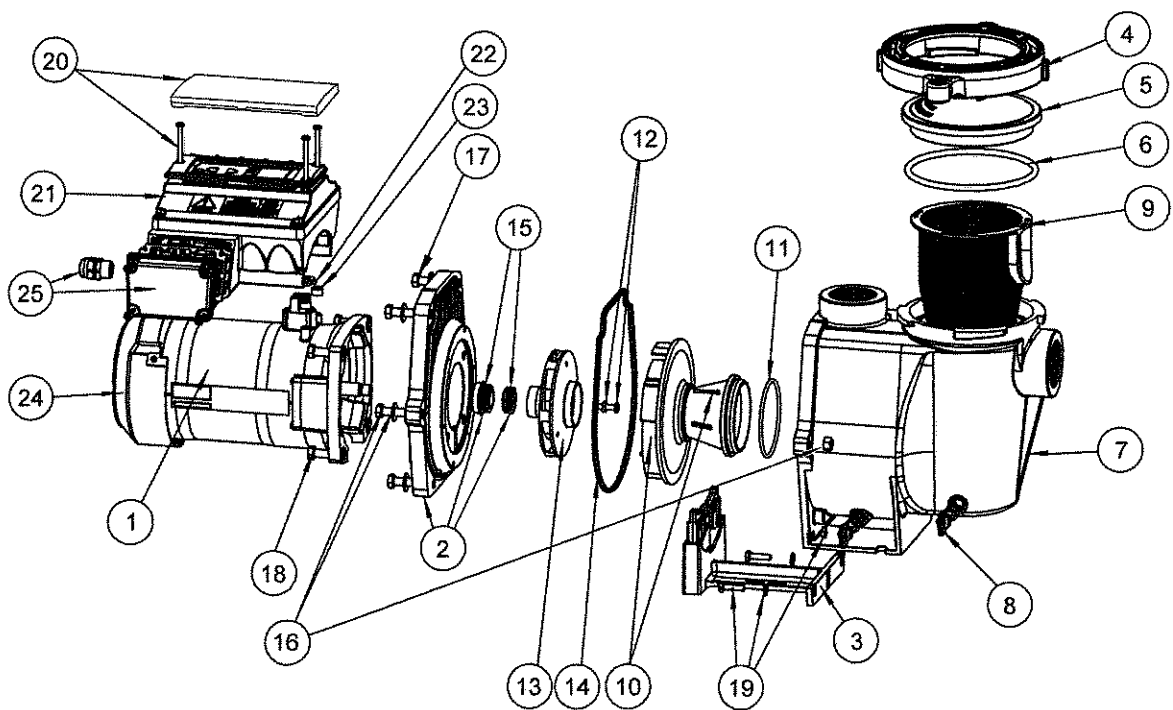


INTELLIFLO® WHISPERFLO® VSD / VF



INTELLIFLO[®]

WHISPERFLO[®] VSD / VF

Replacement Parts

No.	Part No.	Description	Part No. Includes*
1	R357294	Intelliflo VFD Motor	1
2	R350101	Seal plate incl Mechanical seal	1
3	R357159	Pump base	1
4	R357150	Locking ring	1
5	R357156	Lid	1
6	R350013	O-ring for Lid	1
7	R357195	Housing BSP - Black	1
8	R357161	Drain Plug & O-ring	2
9	R070387	Basket	1
10	R072928	Diffuser	1
11	R071444	Seal Diffuser	1
12	R071652	Impeller Lock Screw	1
13	R073131	Impeller	1
14	R357100	Gasket Seal Plate	1
15	R071734SP	Mechanical Seal	1
16	R070431	Bolts & Washers	2
17	R070430	Bolts & Washers	4
18	R354290	Bolts & Washers	4
19	R071657	Bolts, Nuts & Washers	2
20	R357290	Control Cover Assembly V1	1
	R401101**	Control Cover Assembly V2	1
21	R358290E	VSD - Variable Speed Drive	1
	R351104	VF - Variable Flow Drive	1
22	R350108	Gasket	1
23	R350142	Spacer Cap	3
24	R352501	Fan & Fancover	1
25	R353310	Cover Assembly	1
	P-WFL-OSET	Seal set (Partn° 6, 11, 14, 15)	1

* PART NUMBER INCLUDES REQUIRED QUANTITY PER PRODUCT

** Control Cover R401101, implemented on VSD on May 13, 2013 (serialn° A0021-130513)

** Control Cover R401101, implemented on VF on Sept 5, 2013 (serialn° A0001-130905)